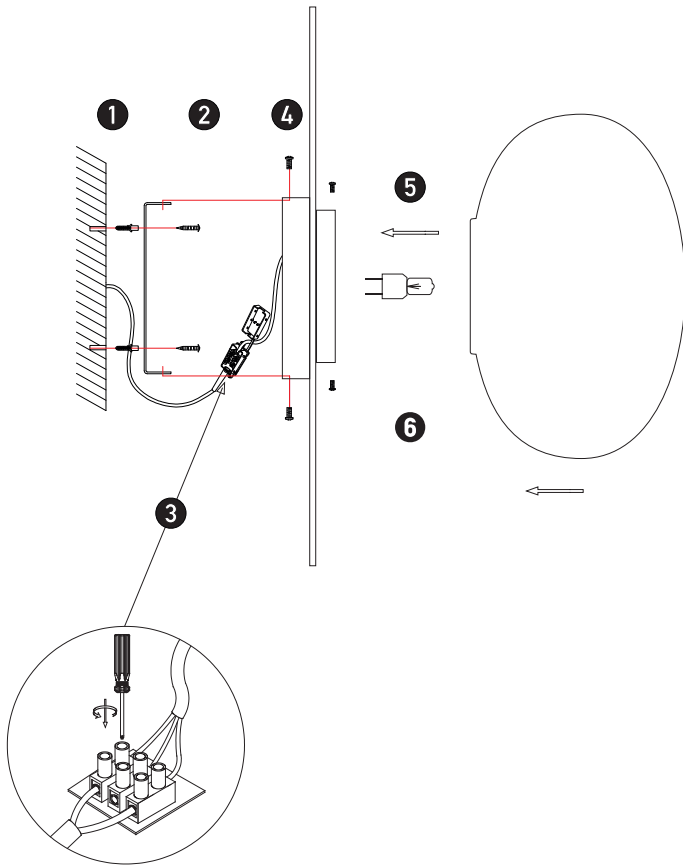
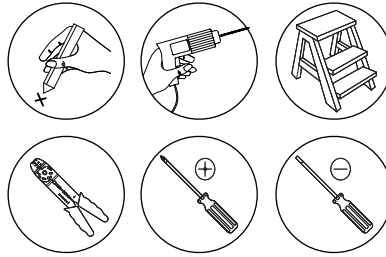


Connecting the Terminal Block

Connect main supply (brown - Live, blue - Neutral) into terminal block making sure all connections are tight.



INDOOR WALL LIGHT

23255

Please read instructions before commencing installation and retain for future reference.

SPECIFICATIONS

- **Material:** Metal | Gypsum
- **Lamp Type:** 1x G9 LED | 7W MAX
- **Ingress Protection:** IP20 Protection against entry of solid objects greater than 12mm in diameter.

INSTALLATION INSTRUCTIONS

⚠ Electrical products can cause death, injury, or property damage. Maintenance and installation should only be carried out by a professional electrician.

- Ensure the main supply is switched off.
- Insert the mounting anchors on the mounting surface (1).
- Fit the mounting bracket onto the mounting surface with the screws (2).
- Connect main supply wires to terminal block (3) making sure all connections are tight.
- Screw the base and fit the lighting fixture onto the mounting bracket (4).
- Install G9 LED bulb into the lamp-holder (5).
- Add gypsum shade firmly on the main body and secure both of them with the side screws (6).
- Reconnect power.

WARNING

⚠ Make sure that the products are installed properly before connecting to electricity. Do not cover the luminaire. Do not exceed the maximum wattage rating of the lamp. If the light source is contained in this luminaire (integrated LED), it shall only be replaced by the manufacturer, his service agent, or a similarly qualified person.

